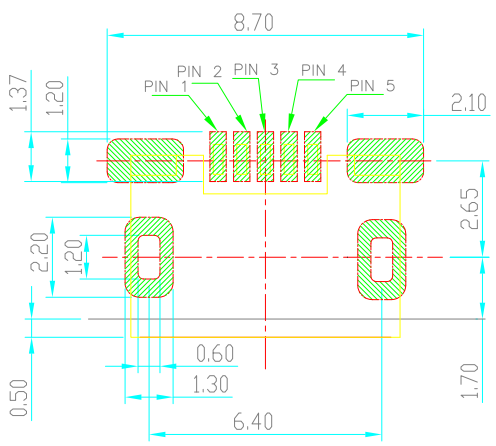
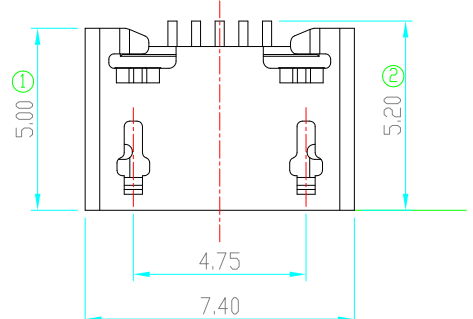
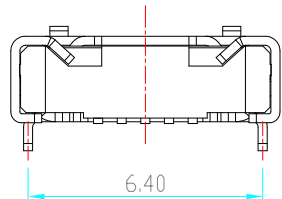
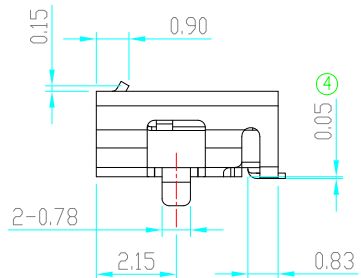
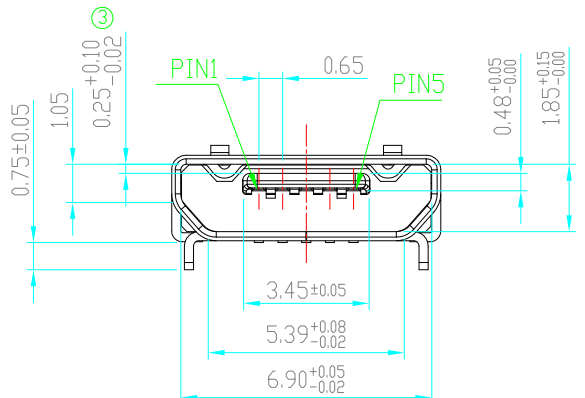
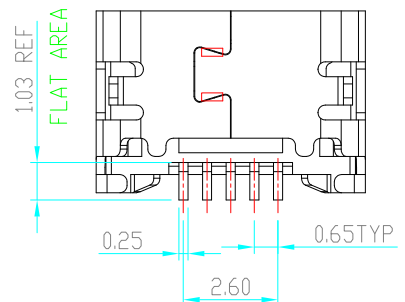


REV.	DESCRIPTION	DATE
A	RELEASE	Apr,11,2021

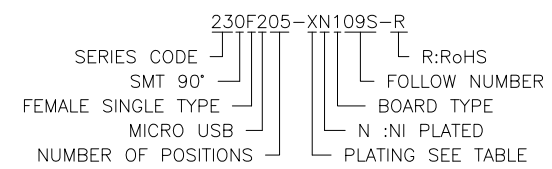


RECOMMEN P.C.B LAYOUT (TOP VIEW)
GENERAL TOLERANCE ±0.05

NOTES:

- MATERIAL:
 - HOUSING: THERMOPLASTIC, UL94V-0, COLOR: WHITE;
 - CONTACT: COPPER ALLOY T=0.15MM;
 - SHELL: SUS T=0.25mm
- FINISH:
 - CONTACT: 0.5u" GOLD PLATING ON CONTACT AREA AND SOLDER TAILS, Ni 50u" MIN. UNDERPLATING OVERALL;
 - SHELL: PLATING ALL OVER NICKEL 50u" Min.
- SPECIFICATIONS:
 - VOLTAGE RATING: 100VAC
 - CURRENT RATING: PIN1/PIN5 3.0A Max
PIN2/PIN3/PIN4 1.0A Max
 - INSULATION RESISTANCE: 100MEG.OHM MAX
 - CONTACT RESISTANCE: 50 MILL.OHM MAX
 - OPERATION TEMPERATURE: -20°TO+65°
 - INSERT FORCE: 35N MAX
 - EXTRACT FORCE: 8N MIN

PART NUMBER INFORMATION :



DESCRIPTION OF PLATING ON TERMINALS			
NO.	EXPLAIN	NO.	EXPLAIN
0	GOLD FLASH	3	GOLD 15u"
1	GOLD 5u"	4	GOLD 20u"
2	GOLD 10u"	6	GOLD 30u"

TOLERANCE .0=±0.25 .00=±0.15 .000=±0.05 ANG.=±3°		DRAWER JERRY CHECK JERRY APP'D HAWK PRODUCT SPEC.		INMO 东莞市英墨电子有限公司 INMO Electronics Co.,Ltd NAME MICRO USB 5P 前插后贴/直边
UNITS : mm		DRAW NO. 230F205-0N109S-R		
SCALE NONE	SIZE A9	SHEET 1 OF 1	REV. A	